



Key Performance

- High throughput
- Range of circular blades for optimum slice quality & pack presentation
- Product retraction eliminates sliver slices
- Hygienic design for quick and easy cleaning

Efficient Slicing of delicate Carpaccio

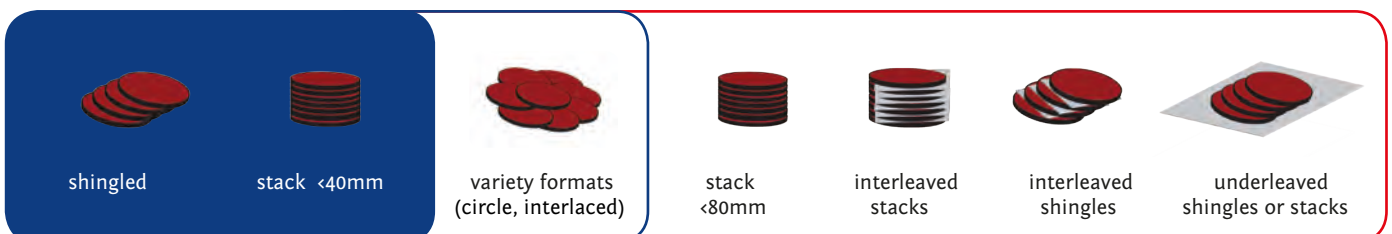
THURNE® Variety Conveyor

- Efficient single log slicing into variety formats such as circles and interlaced shingles
- Multi-log slicing into shingled and stack packs <40mm
- Quick and easy change of patterns via the slicer control panel
- Available for retrofit at a later stage
- Integration with 3rd party underleaver possible





THURNE® Interleaver

- Independent cutting of paper and of product
- Optimisation of the product blade for the application and increased blade life
- Twin lane operation for up to 1200 interleaved slices/min
- Can interleave single slices within a stack <80mm or shingle and/or insert a sheet under complete groups (underleave)
- Controllable paper positioning for excellent presentation
- Easy access for quick reel change and cleaning
- Available for retrofit at a later stage

Pack presentations include:

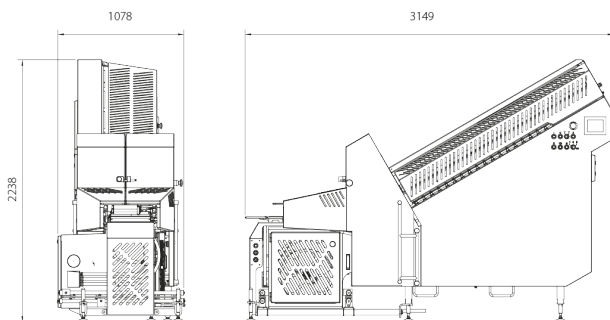


Technical Information	
Feed	Gripper with load assist
Blade	Orbital
Max. speed	up to 600 rpm (orbital)
Slice thickness	0.3 to 30 mm
Max. cutting area (WxH)	300 x 147 mm, 172 mm dia. 11 3/4" x 5 3/4", 6 3/4" dia.
Max. product length	1250 mm 49 1/4"

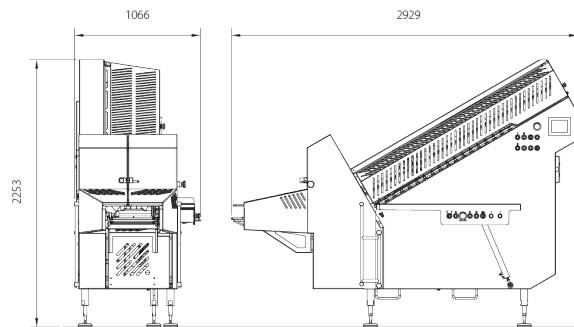
Pack Examples: Beef Carpaccio	
	Shingle pack 10 slices
	Underleaved shingle 6 slices
	Interleaved Shingle 10 slices
	Circle 11 slices

Services	
Electrical	380V to 480V, 50/60Hz @ 11kVA, 3 Phase + Earth & Neutral Interleaver supplied from slicer
Air	10 Normalised litres/min @ 5 bar min.
Weight	1250 kg (2750 lbs)

Interleaving Material	
Cut off length	50 to 400 mm
Material	Clear, opaque and translucent interleaving film and paper. 60- 150 microns thickness
Reel spec	Single reel 80 to 300mm wide. Twin reels, total width up to 300mm. 450mm maximum diameter, 76mm bore



CP 1000 with Interleaver



CP 1000 with Variety Conveyor

CONTACT

Thurne-Middleby Ltd
Gresham House • Pinetrees Business Park • Salhouse Road • Norwich NR7 9BB • UK
Tel. +44 (0)1603 700755 • Fax. +44 (0)1603 700844

Thurne USA
4300 West Bryn Mawr Avenue • Chicago, IL 60646-5943 • U.S.A.
Tel: +1 773 478-9700 Fax: +1 773 478-8689

info@thurne.com
www.thurne.com