



**THURNE**

# CS 1000 Cheese Slicer



## Key Performance

- High throughput
- Up to 1400 interleaved slices / min
- Involute or orbital blade
- Optimum slice quality and pack presentation at speeds up to 1500 rpm

---

## High performance slicer for hard natural cheeses such as Gouda, Cheddar, Edam and Emmental

---

### Slicer Features

- Efficient multi-log slicing of cheese stacks and shingles
- Range of high speed involute and orbital blades with and without serration and coatings
- Orbital blade available for softer cheeses (subject to testing), slicing at up to 600 rpm
- Cheese specific change parts minimize product build up on contact surfaces, thus optimising performance and presentation
- Product retraction eliminates sliver slices
- Optional Stacker for tall stacks of 40-100mm
- Hygienic construction designed for ready to eat applications

### THURNE® Interleaver

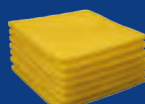
- Independent cutting of paper and of product
- Optimisation of the product blade for the application and increased blade life
- Twin lane operation for up to 1400 interleaved slices/min
- Can interleave single slices within a stack or shingle and/or insert a sheet under complete groups (underleave)
- Controllable paper positioning for excellent presentation
- Easy access for quick reel change and cleaning
- Available for retrofit at a later stage



shingled



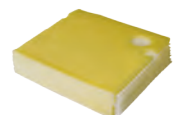
stack <40mm



stagger stack







tall stack <100mm  
*optional*



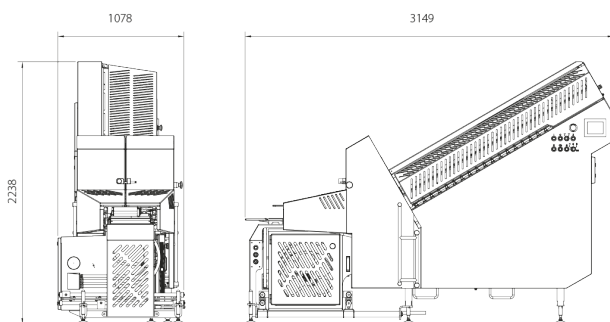
interleaved  
*optional*

Technical Information	
Feed	Gripper with load assist table
Blade	Orbital or Involute
Max. speed without interleaf	up to 600 rpm (orbital) up to 1500 rpm (involute)
Max. speed interleaved	up to 600 rpm (orbital) up to 700 rpm (involute)
Slice thickness	0.3 to 30 mm
Max. cutting area (WxH)	300 x 147 mm, 172 mm dia. 11 3/4" x 5 3/4", 6 3/4" dia.
Max. product length	1250 mm 49 1/4"

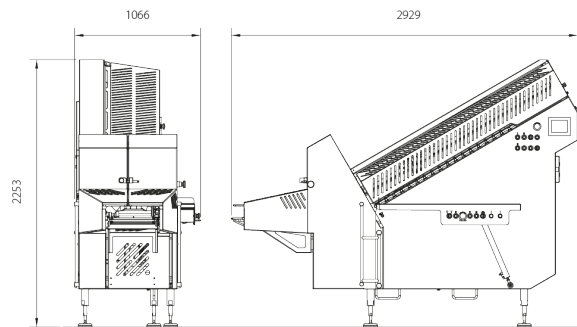
Pack Examples	
	Shingle pack 10 slices, 250g
	Stack pack 10 slices, 240g
	Interleaved Stack 6 slices
	Interleaved Shingle 6 slices

Services	
Electrical	380V to 480V, 50/60Hz @ 11kVA, 3 Phase + Earth & Neutral Interleaver supplied from slicer
Air	10 Normalised litres/min @ 5 bar min.
Weight	1250 kg (2750 lbs)

Interleaving Material	
Cut off length	50 to 400 mm
Material	Clear, opaque and translucent interleaving film and paper. 60- 150 microns thickness
Reel spec	Single reel 80 to 300mm wide. Twin reels, total width up to 300mm. 450mm maximum diameter 76mm bore



CS 1000 with Interleaver



CS 1000

**CONTACT**

**Thurne-Middleby Ltd**  
Gresham House • Pinetrees Business Park • Salhouse Road • Norwich NR7 9BB • UK  
Tel. +44 (0)1603 700755 • Fax. +44 (0)1603 700844

**Thurne USA**  
4300 West Bryn Mawr Avenue • Chicago, IL 60646-5943 • U.S.A.  
Tel: +1 773 478-9700 Fax: +1 773 478-8689

info@thurne.com  
www.thurne.com