



# IBS 2000 Select Bacon Slicer



## Key Performance

- 2.4% minimum increase in #1 slices
- Unprecedented yield / throughput improvement in food service portions and retail drafts
- Proven vision technology maximizes on-weights while minimizing giveaway

---

## Maximum slicing performance in retail and food service bacon applications

---

- High speed involute blade (up to 1750rpm) for high throughput
- Accurate grouping at high speed
- Produces fixed weight-fixed slice count, fixed weight-variable slice count or fixed thickness-fixed slice count packs
- Precise thickness control ensures high quality slice consistency without sliver slices
- Continuous feed via compact autoloader for products up to 915mm length
- Low maintenance components for reliability
- THURNE® Card Dispenser for retail applications available
- Can be integrated with third party underleaver to suit food service applications

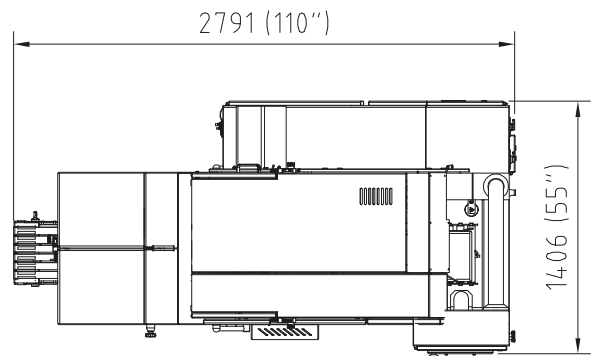
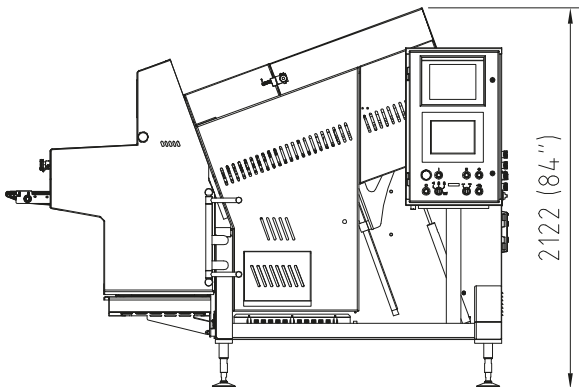


<b>Performance - Retail</b> (subject to slice count)	
12oz (350g) retail packs	Up to 82 packs/min
1lb retail packs	Up to 60 packs/min
1.5lb (~680g) stack packs	Up to 50 packs/min

<b>Performance - Food Service</b> (subject to slice count)	
Food service sheets - Layout (Individual slices)	Up to 110 sheets/min
Food service sheets - Bulk	Up to 60 sheets/min
Bulk for manual packing	Up to 1750 slices/min

<b>Technical Information</b>	
Feed	Continuous with powered top and bottom feed tracks and compact autoloader
Blade	Involute
Max. speed	up to 1750 rpm
Slice thickness	0.012" to 0.79" 0.3 to 20 mm
Max. cutting area (WxH)	2 3/4" x 11" 280 x 70mm
Max. product length	36" (39 1/2" optional) 915 mm (1000mm optional)

<b>Services</b>	
Electrical	380V to 480V ± 10% 50/60Hz @ 11kVA 3 Phase + Earth (No Neutral)
Air	420 Normalised litres/min 5 bar minimum
Approx. Weight	4409 lbs 2000 kg



**CONTACT**

**Thurne-Middleby Ltd**  
 Gresham House • Pinetrees Business Park • Salhouse Road • Norwich NR7 9BB • UK  
 Tel. +44 (0)1603 700755 • Fax. +44 (0)1603 700844

info@thurne.com  
 www.thurne.com

**Thurne USA**  
 4300 West Bryn Mawr Avenue • Chicago, IL 60646-5943 • U.S.A.  
 Tel: +1 773 478-9700 Fax: +1 773 478-8689