



THURNE

Polyslicer 1000



Key Performance

- High speed up to 1500 slices / min / lane
- High versatility
- Compact footprint
- Easy to use

Versatile high performance slicing for processed and cooked meats and cheese

- High speed involute and orbital blade options with serration and coatings to enable optimum slicing for every application
- Orbital blade for delicate or large products running at up to 600 rpm
- High performance involute blade running at up to 1500 rpm
- Product retraction eliminates sliver slices
- Variety of pack presentation formats
- Hygienic construction suitable for ready to eat applications
- Modular build secures future proof investment when requirements change:
 - THURNE® Interleaver can be retrofitted
 - THURNE® Variety Conveyor can be retrofitted
 - THURNE® Stacker for tall stacks <100mm can be retrofitted



Pack presentations include:



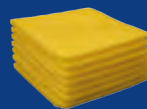
shingled



stack



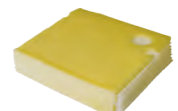
wafer-thin



stagger stack



Variety Packs
optional

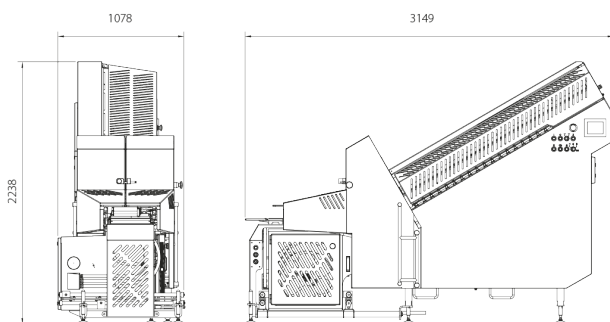


Interleaved Packs
optional

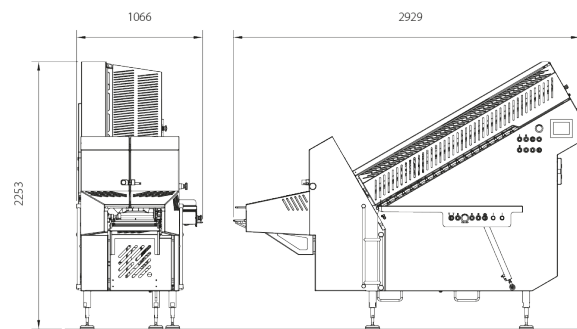
Technical Information	
Feed	Gripper feed with load assist table
Blade	Orbital or Involute
Max. speed	up to 700 rpm (interleaved) up to 1500 rpm
Slice thickness	0.3 to 30 mm
Max. cutting area (WxH)	300 x 147 mm, 172 mm dia. 11 3/4" x 5 3/4", 6 3/4" dia.
Max. product length	1250 mm 49 1/4"

Interleaving Material	
Cut off length	50 to 400 mm
Material	Clear, opaque and translucent interleaving film and paper. 60- 150 microns thickness
Reel spec	Single reel 80 to 300mm wide. Twin reels, total width up to 300mm. 450mm maximum diameter 76mm bore

Services	
Electrical	380V to 460V ± 10%, 50/60Hz @ 11kVA, 3 Phase + Earth & Neutral
Air	10 Normalised litres/min @ 5 bar min.
Weight	1250 kg (2750 lbs)



Polyslicer 1000 with Interleaver



Polyslicer 1000

CONTACT

Thurne-Middleby Ltd

Gresham House • Pinetrees Business Park • Salhouse Road • Norwich NR7 9BB • UK
Tel. +44 (0)1603 700755 • Fax. +44 (0)1603 700844

Thurne USA

4300 West Bryn Mawr Avenue • Chicago, IL 60646-5943 • U.S.A.
Tel: +1 773 478-9700 Fax: +1 773 478-8689

info@thurne.com

www.thurne.com